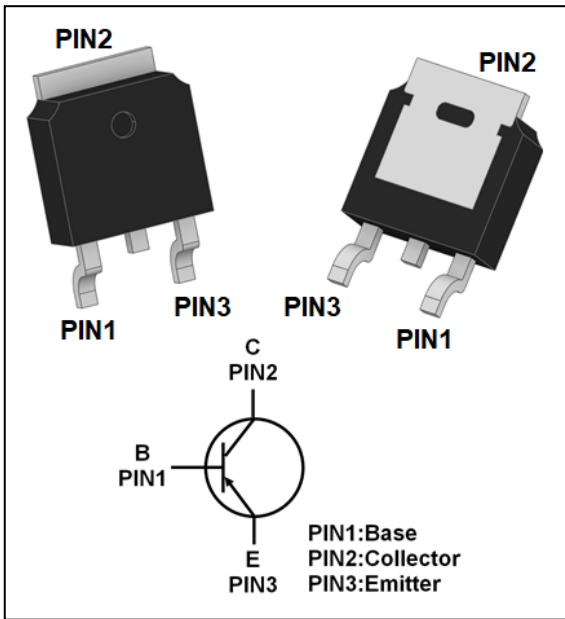


PNP High Power Bipolar Transistor



Features

- Epoxy meets UL-94 V-0 flammability rating and halogen free
- Moisture Sensitivity Level 1

Applications

- Complement to MJD44H11B
- Low Collector Emitter Saturation Voltage
- Fast Switching Speeds

Mechanical Data

- Package: TO-252
- Terminals: Tin plated leads, solderable per J-STD-002 and JESD22-B102
- Unit Weight: 0.32g

■ Maximum Ratings (Ta=25°C unless otherwise noted)

Item	Symbol	Unit	Value
Device marking code			MJD45H11B
Collector-base voltage	V_{CBO}	V	-100
Collector-emitter voltage	V_{CEO}	V	-80
Emitter-base voltage	V_{EBO}	V	-6
Collector current	I_C	A	-8
Power dissipation (*)	P_D	W	1.5
Thermal resistance, junction-to-ambient (*)	R_{thJA}	°C/W	83.3
Junction temperature	T_j	°C	-55 to +150
Storage temperature	T_{STG}	°C	-55 to +150

(*) Device mounted on FR-4 PCB(25.4*25.4*1.0mm)mounting pad.



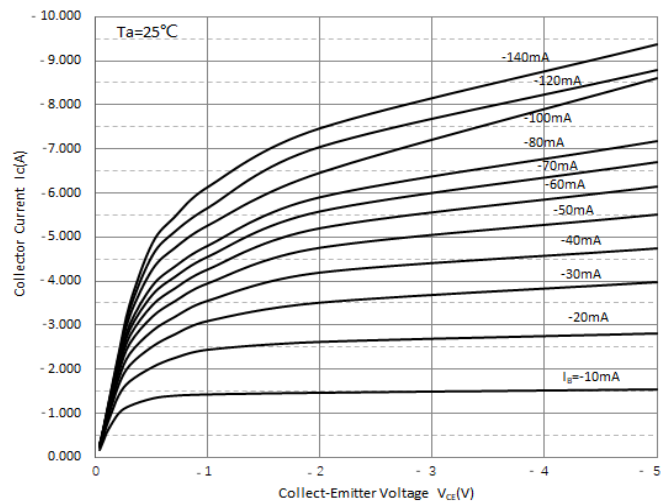
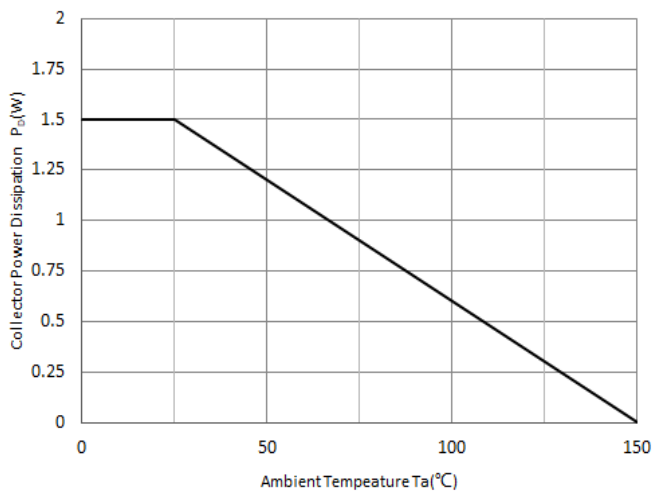
■ Electrical Characteristics (Ta=25°C unless otherwise noted)

Item	Symbol	Unit	Conditions	Min	Typ	Max
Collector-base breakdown voltage	$V_{(BR)CBO}$	V	$I_C = -100\mu A, I_E = 0$	-100		
Collector-emitter breakdown voltage	$V_{(BR)CEO}$	V	$I_C = -1mA, I_B = 0$	-80		
Emitter-base breakdown voltage	$V_{(BR)EBO}$	V	$I_E = -100\mu A, I_C = 0$	-6		
Collector-base cut-off current	I_{CBO}	μA	$V_{CB} = -100V$			-1
Collector cutoff current	I_{CES}	μA	$V_{CE} = -64V$			-1
Emitter-base cut-off current	I_{EBO}	μA	$V_{EB} = -5V$			-1
DC current gain	h_{FE}		$V_{CE} = -1V, I_C = -2A$	60		
			$V_{CE} = -1V, I_C = -4A$	40		
Collector-emitter saturation voltage	$V_{CE(sat)}$	V	$I_C = -8A, I_B = -400mA$			-1.0
Base-Emitter Saturation Voltage	$V_{BE(sat)}$	V	$I_C = -8A, I_B = -800mA$			-1.5
Collector-base output capacitance	Cob	pF	$V_{CB} = -10V, f = 1MHz$		94	

■ Ordering Information (Example)

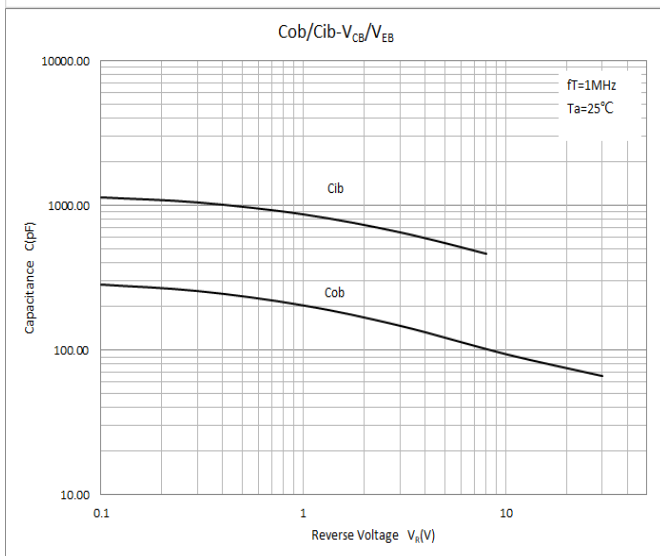
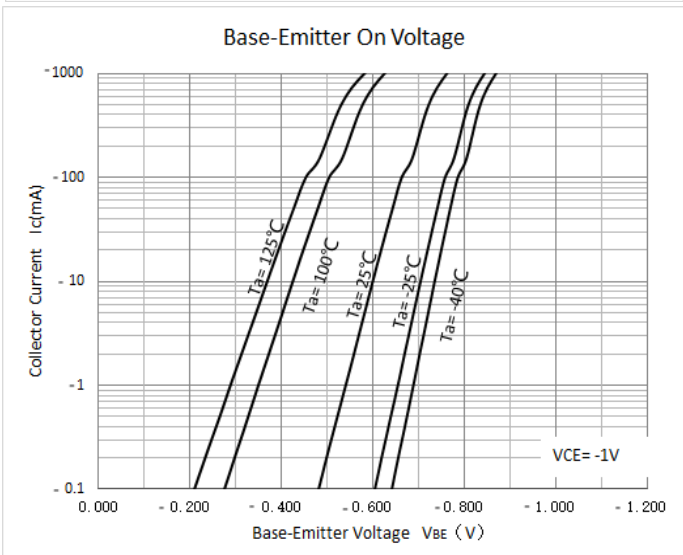
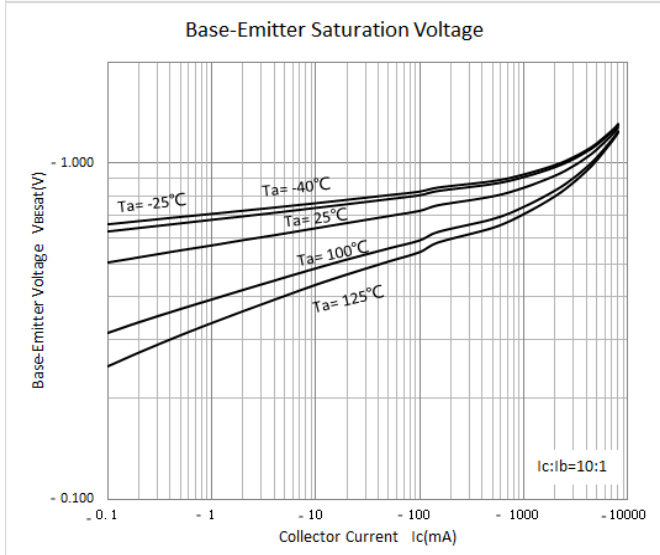
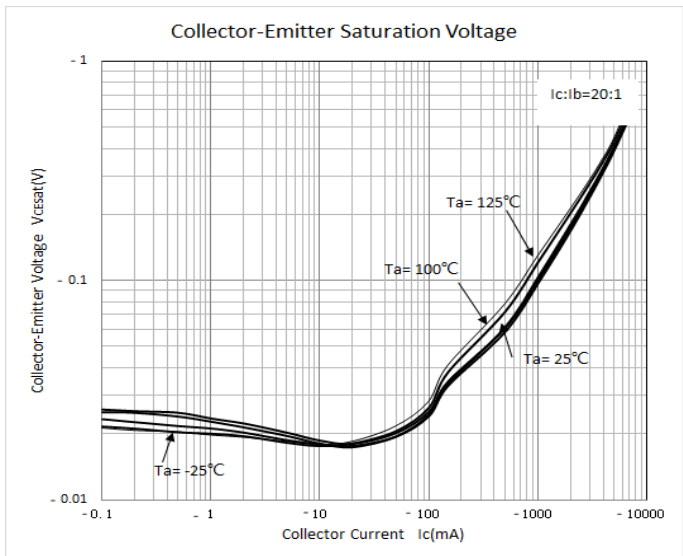
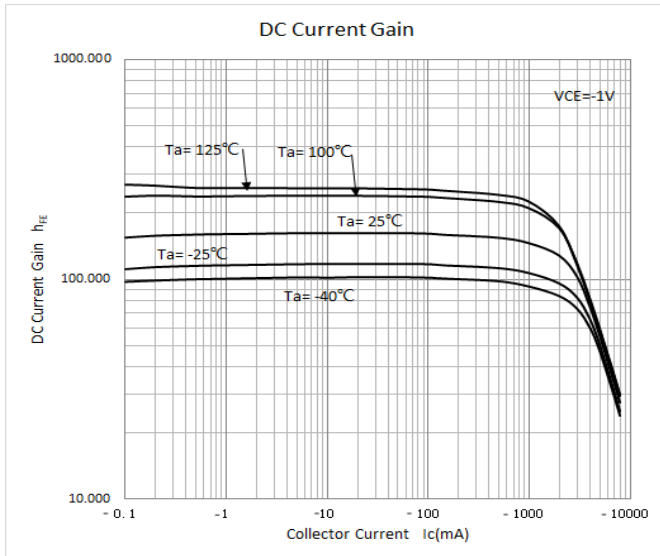
PREFERRED P/N	PACKING CODE	MINIMUM PACKAGE(pcs)	INNER BOX QUANTITY(pcs)	OUTER CARTON QUANTITY(pcs)	DELIVERY MODE
MJD45H11B	F2	2500	5000	25000	13"Reel

■ Characteristics(Typical)



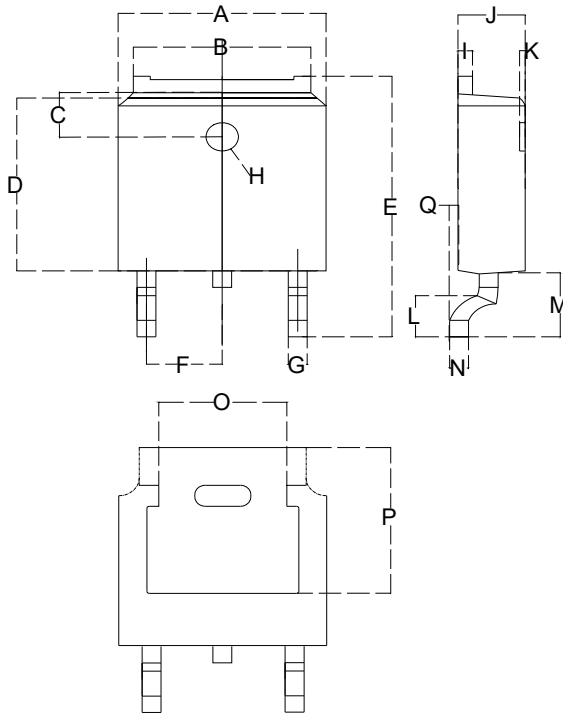


■ Characteristics(Typical)



■ TO-252 Package information

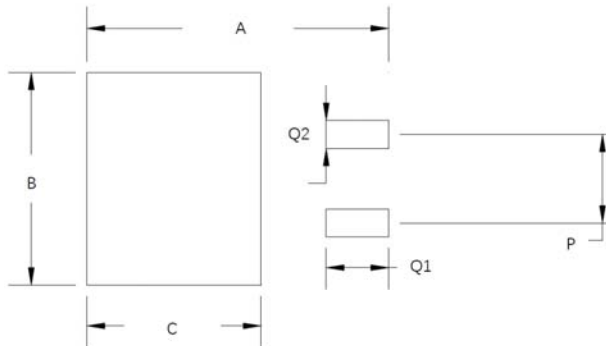
TO-252



Dimensions in millimeters

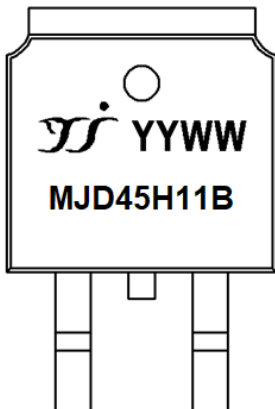
TO-252		
Dim	Min	Max
A	6.500	6.700
B	5.100	5.460
C	1.400	1.800
D	6.000	6.200
E	10.000	10.400
F	2.166	2.366
G	0.660	0.860
H	Φ 1.050	Φ 1.350
I	0.460	0.580
J	2.200	2.400
K	0	0.300
L	0.890	2.290
M	2.730	3.080
N	0.430	0.580
O	4.20	4.95
P	5.15	5.45
Q	0	0.2

■ Suggested Pad Layout



Dim	Millimeters
A	11.4
B	6.74
C	6.23
P	4.56
Q1	2.28
Q2	1.52

■ Marking Code



YangJie LOGO

YYWW: YY, years; WW, week.

For example, 24 represents 2024; 01 represents the first week of this year.

MJD45H11B: Product model.



Disclaimer

The information presented in this document is for reference only. Yangzhou Yangjie Electronic Technology Co., Ltd. reserves the right to make changes without notice for the specification of the products displayed herein to improve reliability, function or design or otherwise.

The product listed herein is designed to be used with automotive electronics, are not designed for use in medical, life-saving, lifesustaining, or military, Yangjie or anyone on its behalf, assumes no responsibility or liability for any damages resulting from such improper use of sale.

This publication supersedes & replaces all information previously supplied. For additional information, please visit our website [http:// www.21yangjie.com](http://www.21yangjie.com) , or consult your nearest Yangjie's sales office for further assistance.